

Micro Diaphragm Liquid Pump

Datasheet



Highlights

- Can be used to transmit gases and liquids
- Driven by high-end BLDC motor
- Dry running, maintenance free
- Long service life under max load
- Industrial-grade reliability
- Multiple self-protection
- Compact size
- Self-priming

Applications

- Printing
- Laboratory
- Medical equipment
- Analytical instruments

10K hours
lifetime test

PERFORMANCE DATA

Model	Voltage (V DC)	As Gas Pump			As Liquid Pump		
		Max. Load Current (mA)	Max. Average Flow rate (L/min)	Max. Vacuum (-kPa)	Max. Load Current (mA)	Free Flow Rate (L/min)	
Material Option A		Diaphragm:EPDM	Valves:EPDM	Pump Head: Fiber reinforced PA6			
WNY600A	12	≤330	≥0.6	≥17	≤350	≥0.6	
	24	≤200	≥0.8	≥17	≤260	≥0.6	
WNY1000A	12	≤380	≥0.9	≥27	≤500	≥1.0	
	24	≤220	≥1.1	≥27	≤280	≥1.0	

PERFORMANCE DATA

Model	Max. Suction Height (mWg)	Flow Rate@ Max. Suction Height	Max. Pressure Heigh (mWg)	Flow Rate@ Max. Pressure Heigh
WNY600A	2	300mL	4	280mL
WN1000A	3	400mL	5	280mL

CONFIGRATION OPTIONS

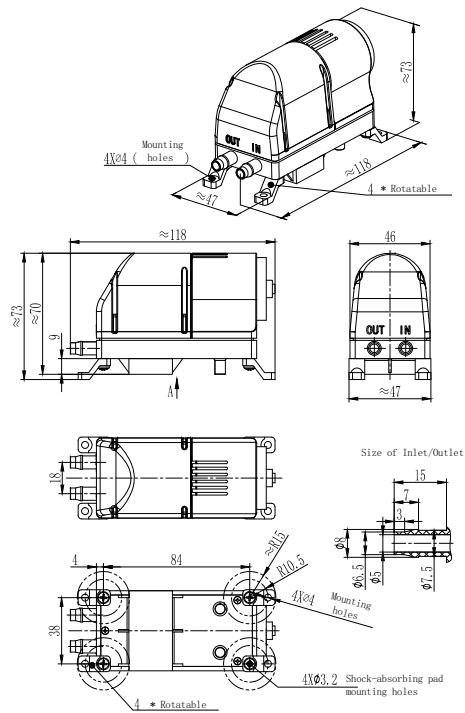
Material Options

Pump Head	Fiber reinforced PA6
Diaphragm	EPDM
Valves	EPDM
Motor	BLDC

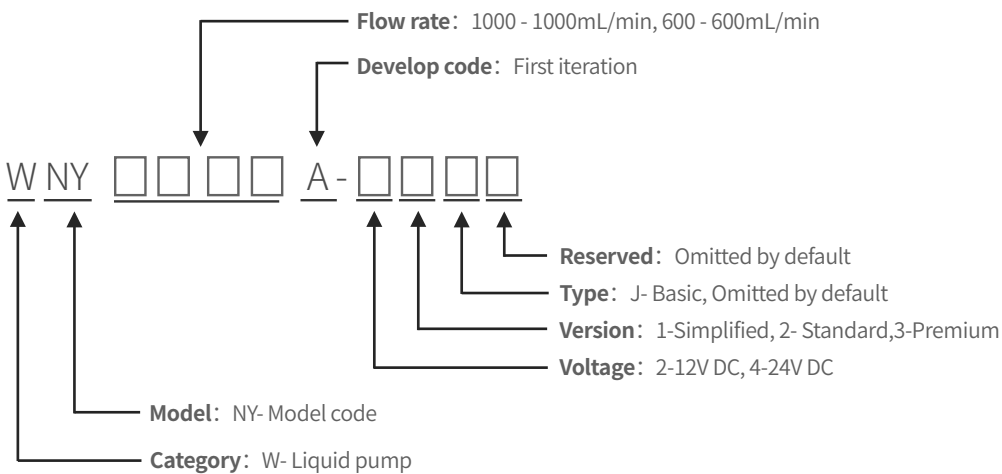
RELIABILITY DATA

Models Versions	WNY600A WNY1000A		
	Simplified	Standard	Premium
Fully Loaded Lifetime (hrs)	3500	6000	10000
Unloaded Lifetime (hrs)	8000	12000	18000
Motor Lifetime (hrs)	10000	15000	20000
Test conditions	In a clean and non-corrosive laboratory, the pump is fully loaded (continuous pumping water) or unloaded (the inlet and outlet are directly connected to the atmosphere), and runs continuously around the clock; ambient temperature: 5°C~33 °C, relative humidity: 50%-85%, fluctuates with the climate.		
Working Condition			
Operating temperature	Permissible ambient temperature is 0°C~50°C, it is not suitable to be exposed to the sun, and it should work in a clean and ventilated environmen		
Medium	Permissible temperature of the liquid medium is 5°C~50°C and gaseous media is 0°C~50°C , the transferring gas cannot contain solid particles or oil mist. It is not allowed to pump oily liquid and high viscosity liquid.		
Wetted materials	EPDM, fiber reinforced nylon, tolerance to alcohol, acid, alkali, etc. (except strong acid, concentrated acid, lipids, benzene, gasoline, etc.)		

WNY DIMENSIONS



WNY MODEL KEY



ACCESSORIES		
Descriptions	Illustration	Function
Shock-isolation mounting feet		Reduce the impact of vibration on the equipment during the operation of the pump. This accessory comes with the pump*4
Filter		The 80-mesh filter protect both pumps and other upstream instrumentation and hydraulic circuits against particulate, crystals and fibers . It is recommended to replace it regularly. This accessory comes with the pump*1
Check valve		Enhance the cut-off capability of the gas circuit system to ensure one-way gas flow. This accessory can be purchased on demand
Flow stabilizer		Eliminate and reduce pulsation, make gas output smooth and stable, this accessory can be purchased on demand
Manual control valve		It can be used to manually adjust the gas flow rate, pressure and vacuum. This accessory can be purchased on demand
DC power adapter		220V AC to DC switching power supply, this accessory can be purchased on demand
Silencer		It is used to eliminate and reduce the airflow noise caused by pumping operation, this accessory can be purchased on demand



To be a driving force in innovation of human fluid technology

Create value for customers by offering high quality fluid solutions

This document is for reference only and does not constitute any promise or guarantee. The parameters and experimental data indicated in this document come from Hilintec life and aging laboratory and supplier laboratories. In the actual user system, due to differences in actual usage conditions and experimental conditions, relevant value will change accordingly. Due to product improvement needs, the parameters may be adjusted without notice. Please contact the manufacturer or agent for confirmation before purchasing. The trademarks, pictures, and logos in this document are owned by Chengdu Hailin Technology Co., Ltd. or a third party with legal rights.



www.mini-pump.com